

ROBOTIC CONSTRUCTION

Robotic Rebar Construction

Rebar – A Critical Problem in Today's Construction



Labour Shortage



Inefficiency



Injuries



Sustainability

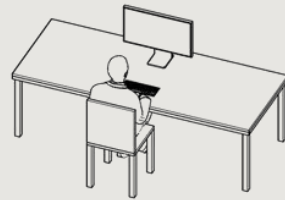
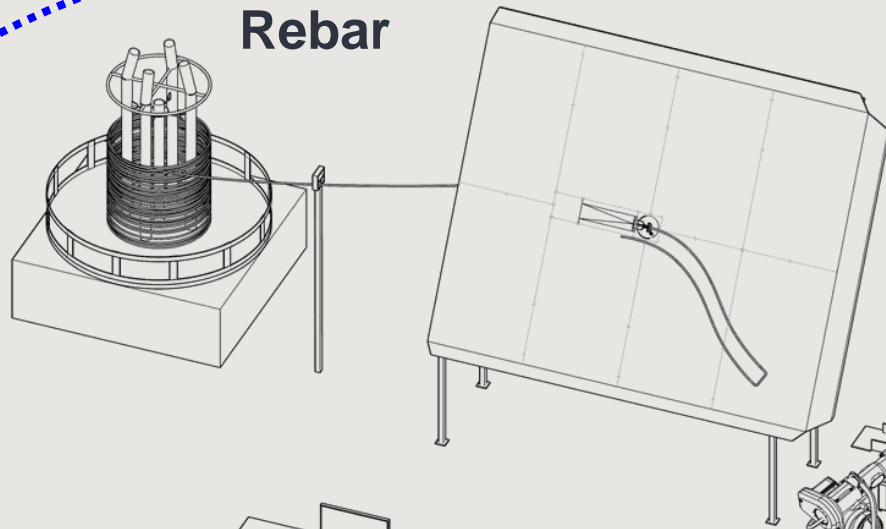
Decoding Rebar – from Design to Construction



The MESH Solution

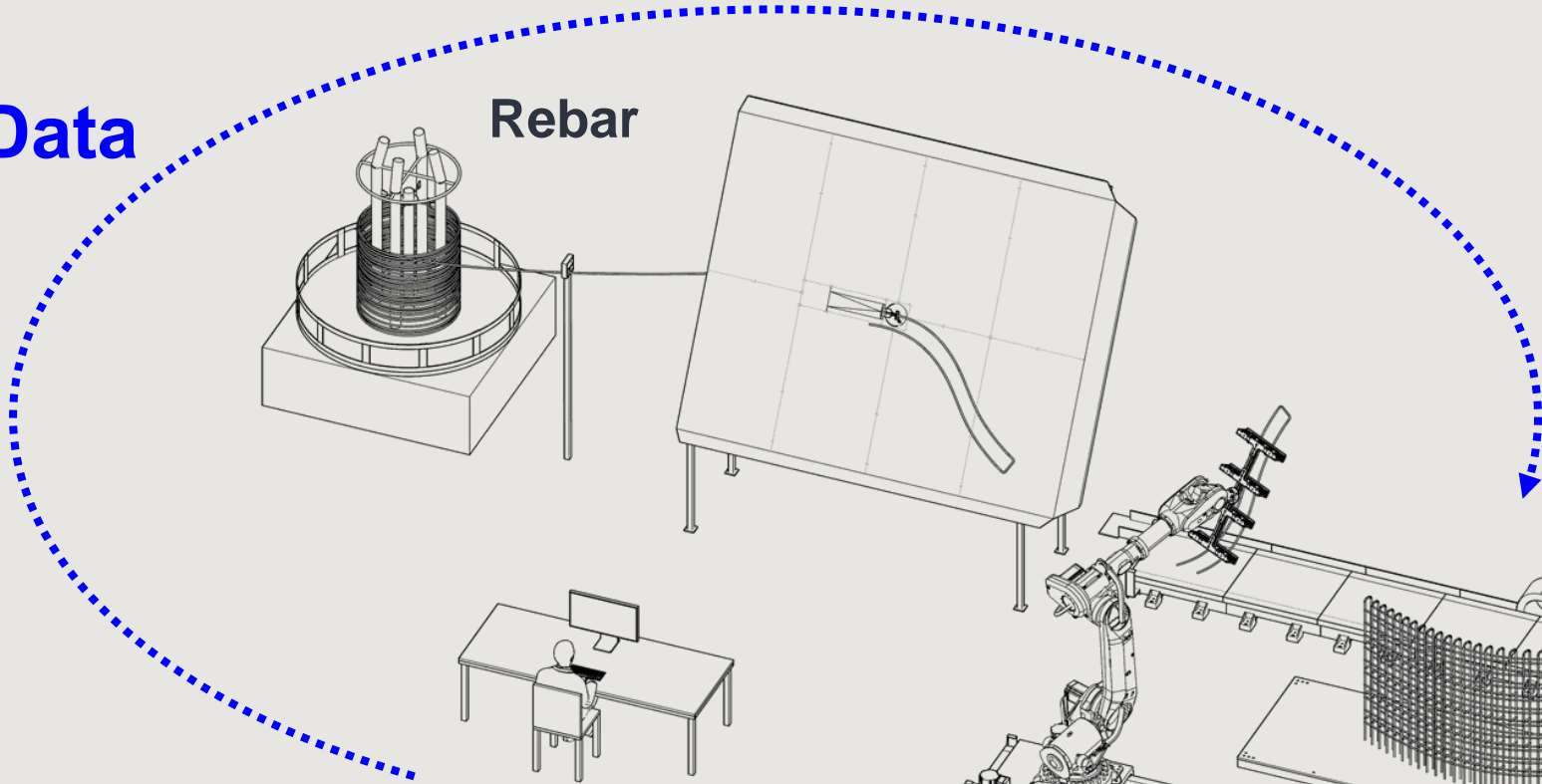
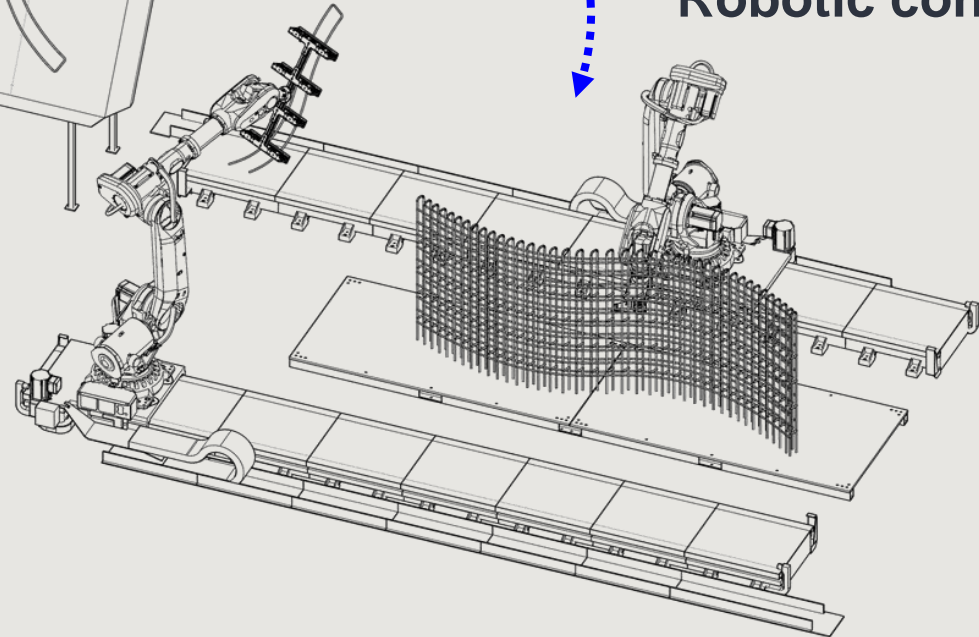
Data

Rebar

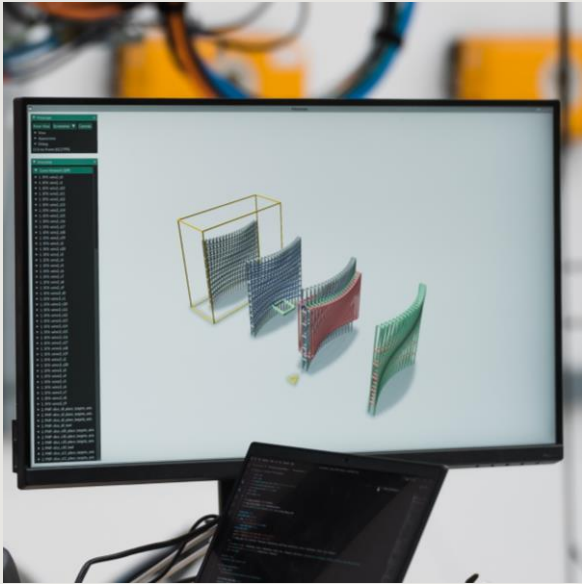


CAD

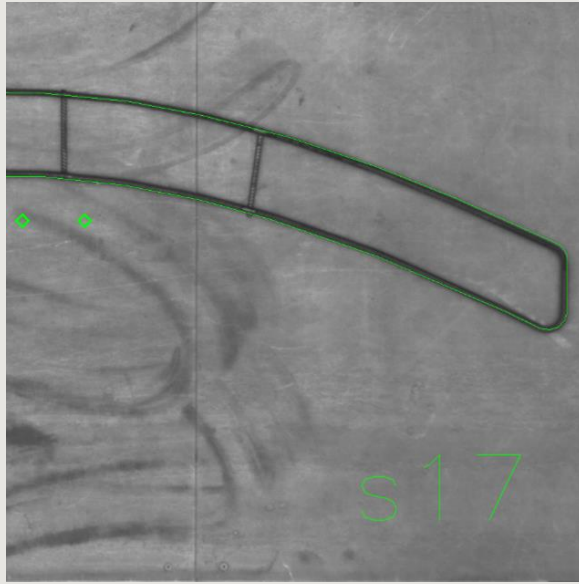
Robotic construction



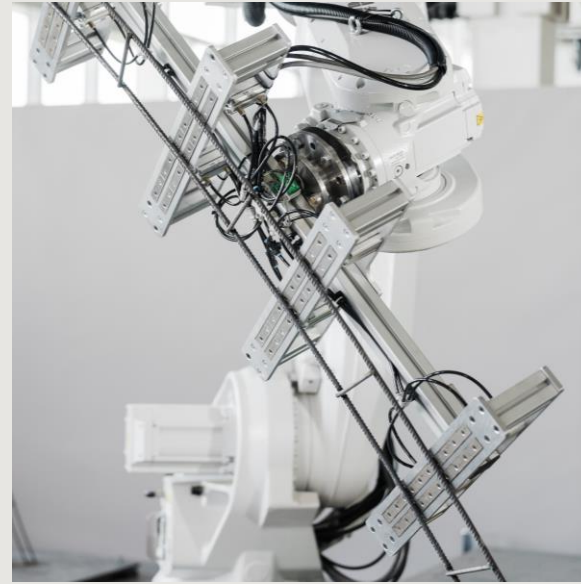
The MESH Technology



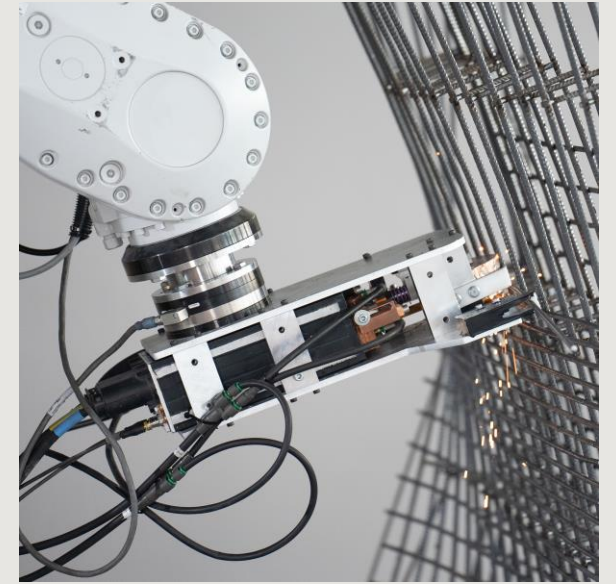
Design-to-print



Vision Control



Material Handling



Adaptive Joining

Our Products

MESH Rebar Printer

Fully-automated rebar cage production solution

MESH Slicer

Converting of CAD files into 3D rebar cage models in seconds

MESH Actuate

Automating rebar handling operations

Our Customer Groups




**Precast
Plants**



**Rebar
Shops**



**Specialist
Construction**



**Architecture &
Structural
Engineering**

Team



Dr. Ammar Mirjan
CEO, Co-Founder



Mattis Koh
COO, Co-Founder



Dr. Daniel Dugas
Robotics



Dr. Inés Ariza
Digital Fabrication Specialist



Ilaria Giacomini
Project Leader / Sales



Nicolas Feihl
Digital Fabrication Specialist



Eleni Alexi
Project Leader / Sales

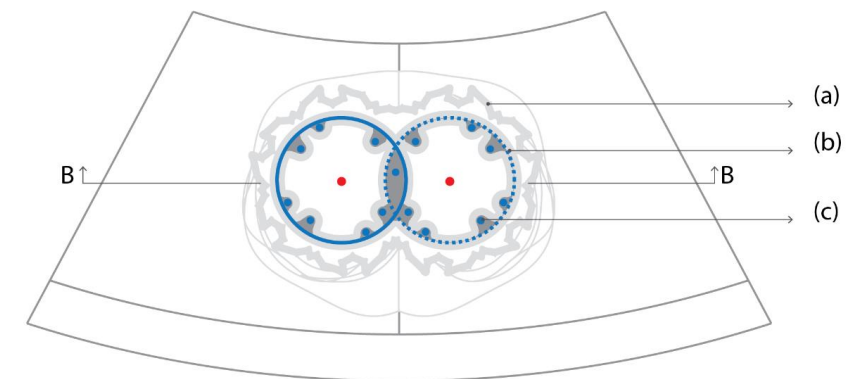
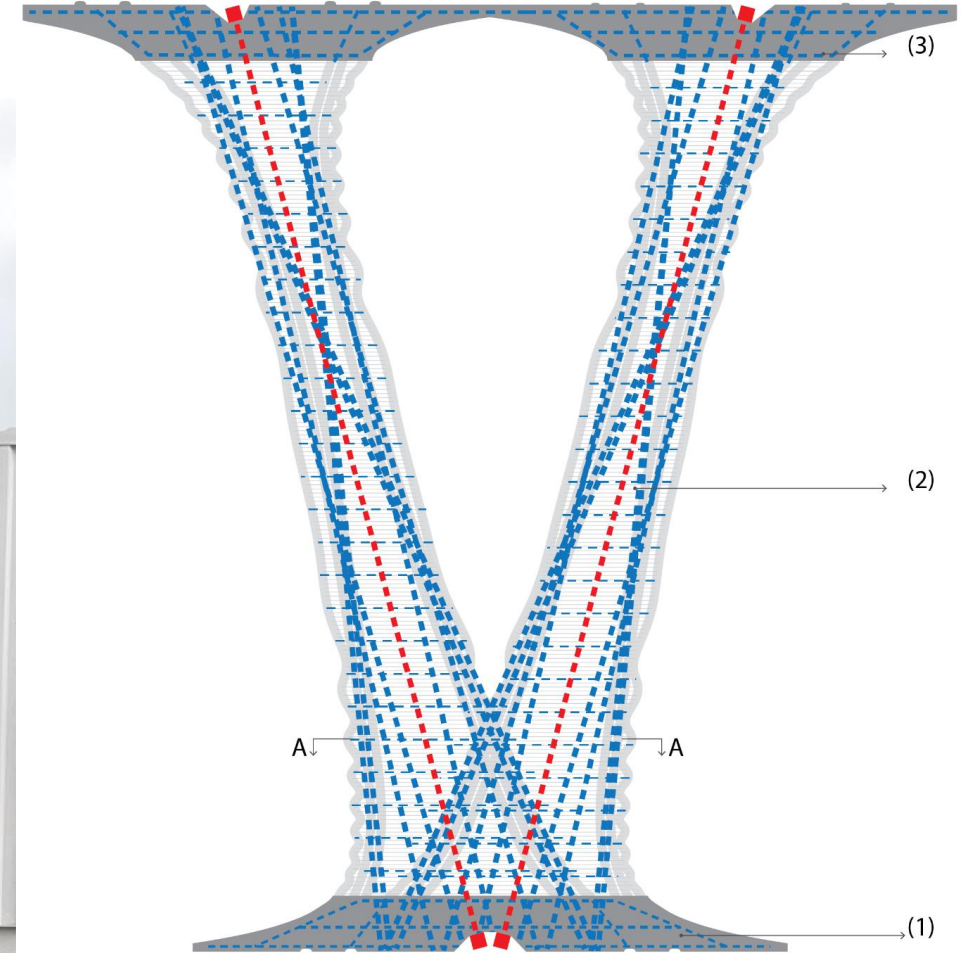


Lilian Laporte
Robotics

Specialized construction



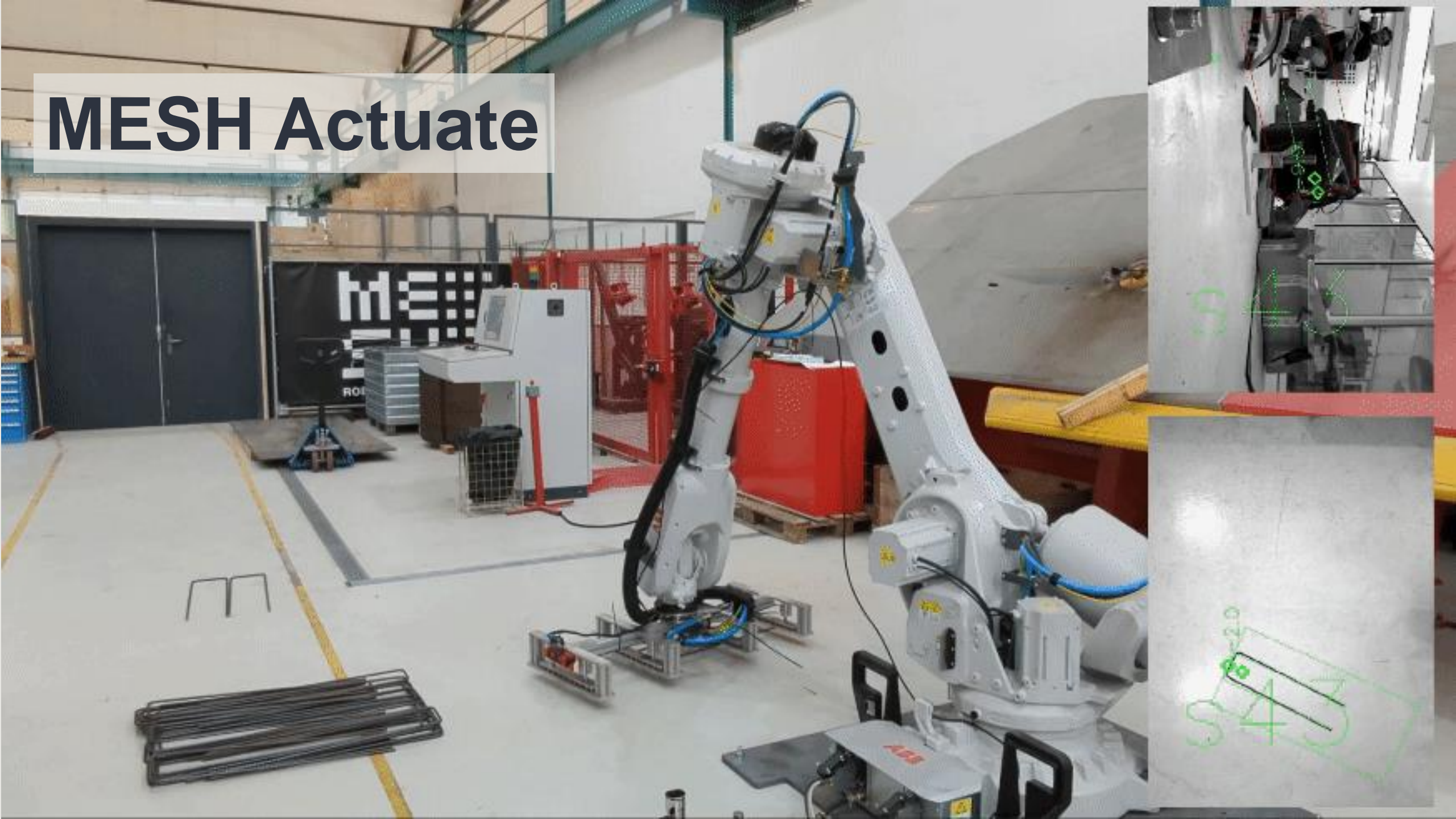
Rebar on demand

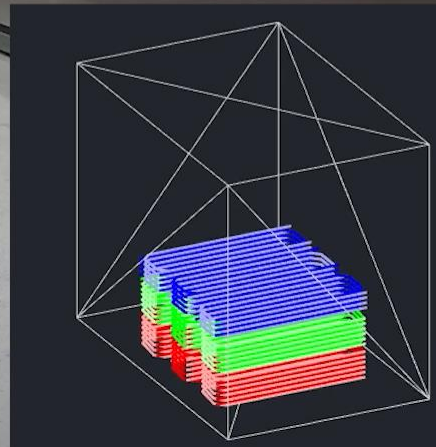
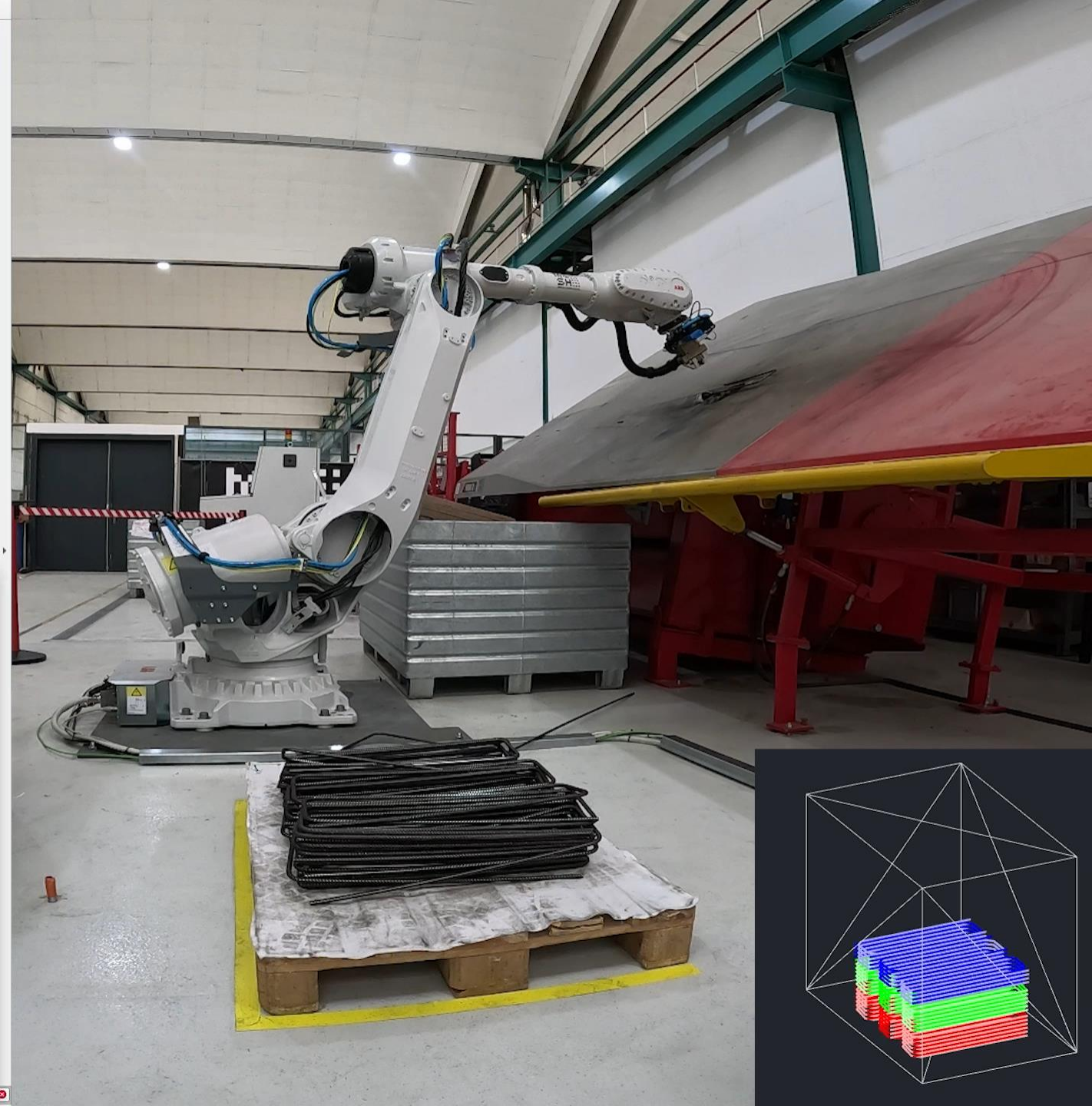
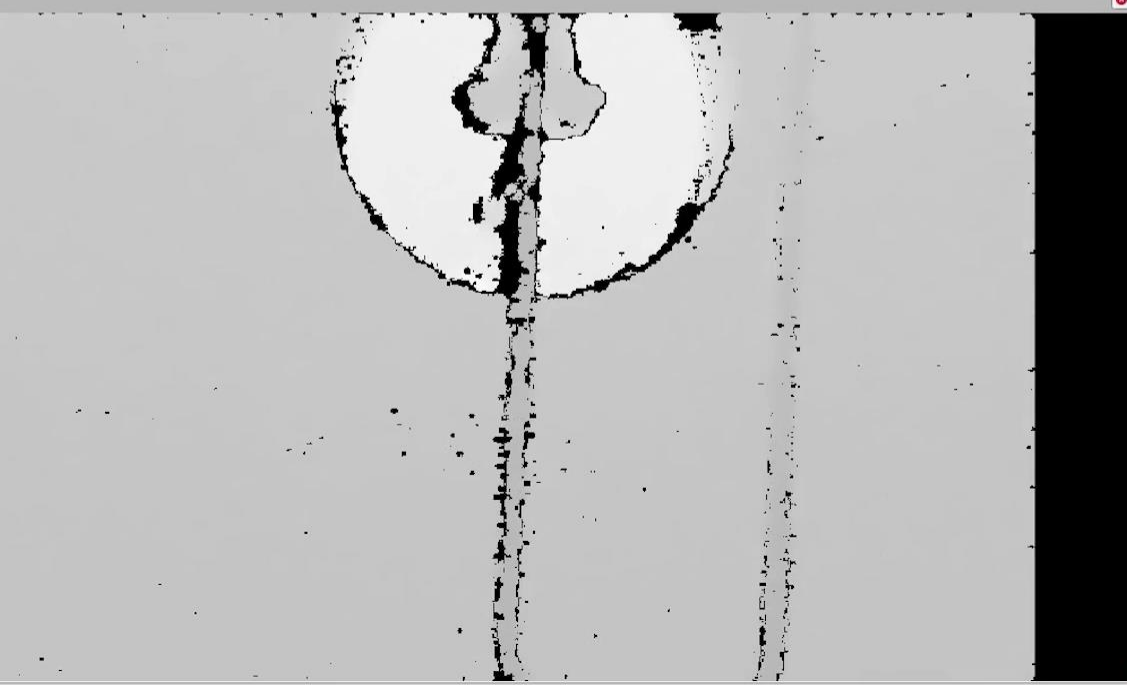
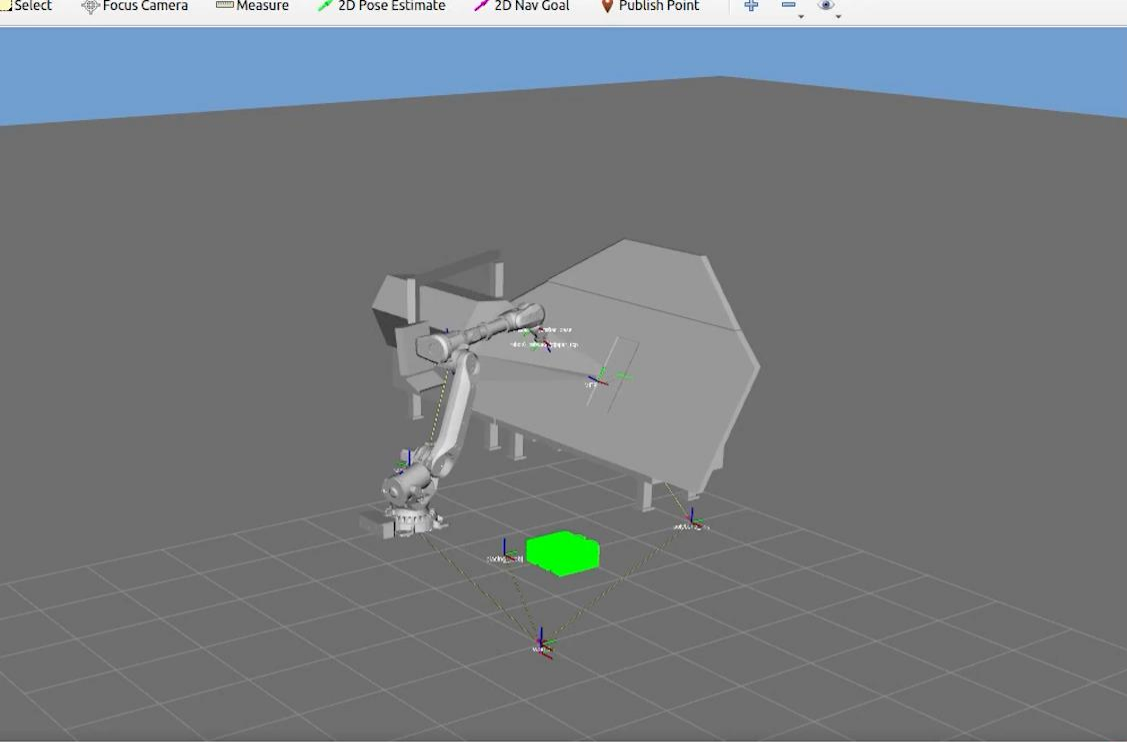


Rebar on demand

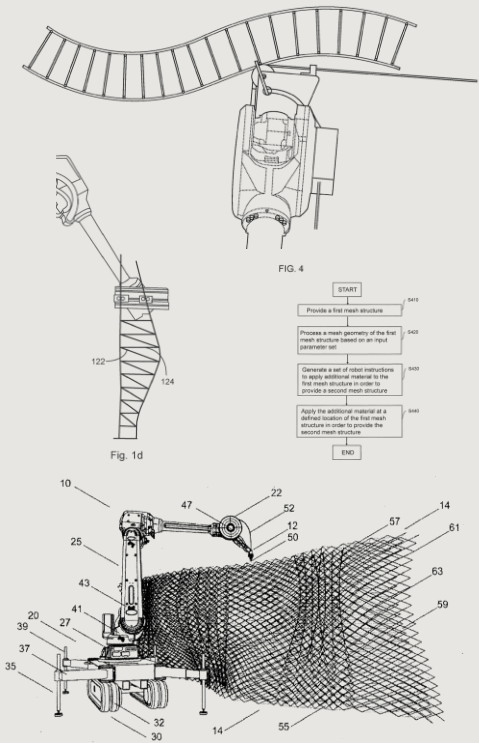


MESH Actuate





Our Traction



Intellectual Property

Industry Leading Customers

Spin-off | **ETH** zürich



Wg waltgalmarini

Strategic Partners



Schweizerische Eidgenossenschaft
Confédération suisse
Confederazione Svizzera
Confederaziun svizra



Innosuisse



Awards and Grants

Thank you.



 mesh.ch

 [@meshag](https://www.linkedin.com/company/meshag)

 [@meshroboticconstruction](https://www.instagram.com/meshroboticconstruction)



Mattis Koh

Co-Founder & COO
koh@mesh.ch